

TRW Automotive
Commercial Steering Systems

Service Bulletin #TAS-128

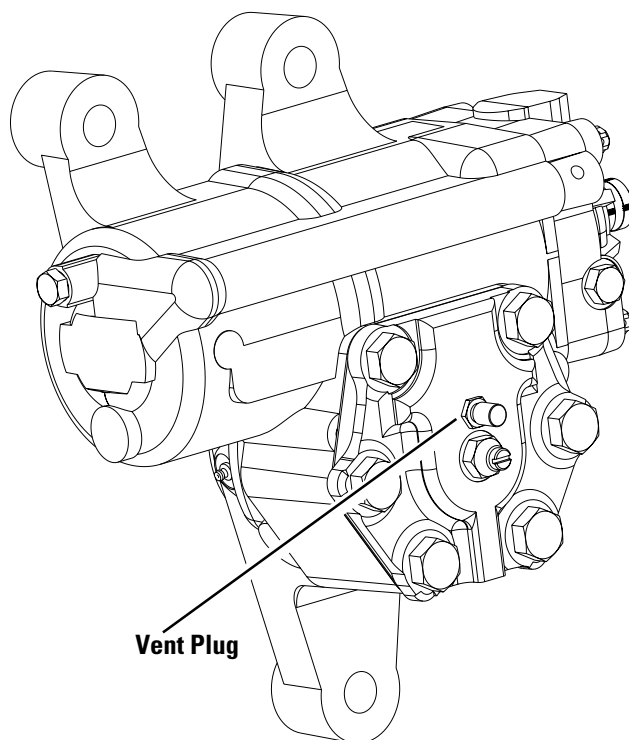
Installation Instructions for Service Kit #037036X1

Released October, 2001

This TRW Commercial Steering Systems service bulletin has been written to help you repair commercial vehicles more efficiently. This bulletin should not replace your manuals; you should use them together. These materials are intended for use by properly trained, professional mechanics, NOT "Do-it-yourselfers". You should not try to diagnose or repair steering problems unless you have been trained, and have the right equipment, tools and know-how to perform the work correctly and safely.

⚠ WARNING All steering mechanisms are safety critical items. As such, it is imperative that the instructions in the vehicle manufacturer's or TRW's latest published service manual are followed to the letter. Failure to observe the proper procedures, cautions and warnings may result in loss of steering.

1. Clean off all dirt around the area of the old vent plug prior to removal.
2. Remove old vent plug.
3. Apply Loctite pipe joint compound to the threads of the new vent plug.
4. Install new plug and torque to **20 ft•lb (+/- 4 ft•lbs)**



TRW Commercial Steering Systems

P.O. Box 60
Lafayette, IN 47902
Phone: 765.423.5377
Fax: 765.429.1868